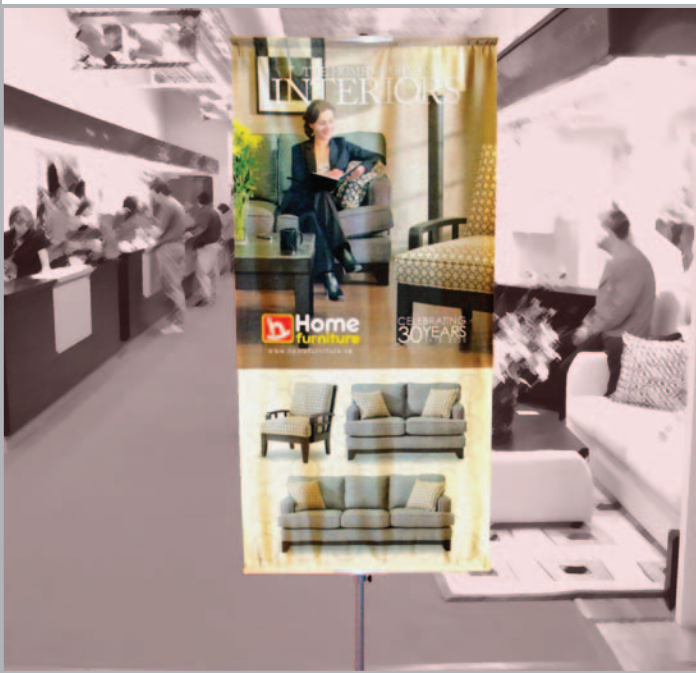




## Classic Banner Stand



*CLASSIC is the a most innovative indoor banner display solution.*

*Create Single or Double-Sided fabric banner presentations.*

*Telescopic Center Pole gives limitless display and image possibilities.*

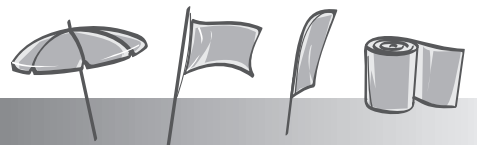
*Our fabric banners come pre-made with wooden dowels so banner changes are quick and easy.*

*Use CLASSIC as a permanent or temporary display system.*

*Free Travel Bags for systems with the Tree Base.*

*The CLASSIC is a fantastic solution for small run, custom applications or large production runs.*





# Technical specifications

## Description

Centre Pole has Telescopic Height Range of 36 to 96 inches

Customize Banner Width up to 36 inches.

System comes with Standard Collapsible Tree Stand and Travel Bag.

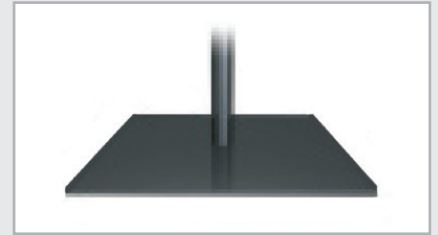
Upgrade to 12 inch Retail Square Base at no additional cost. Travel Bag not included.

The Bottom Banner Holder can travel freely up and down the Bottom Pole.



## Base Option

12 inch Square Base



Foldable Tree Base

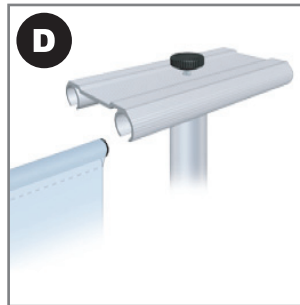
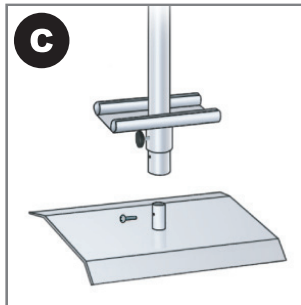
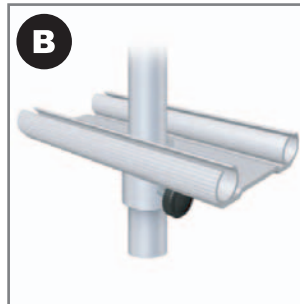


## Assembly

- A. Screw Top Holder onto Pole using Knob
- B. Slide Bottom Holder onto large diameter Pole and secure with Knob
- C. Screw Pole onto Base using Phillips head screw
- D. Insert Banner & Dowels into Top and Bottom Holders

Position banners in desired position by adjusting Bottom Dowel Holder.

Position banner by opening Center Pole until Banners are taught, then tighten.



## Fabric Choices

There are many fabric option to choose from for use on the CLASSIC Stands. Whatever your desired presentation, there is a fabric to exceed your goals.

SCREEN PRINT for large production runs and programs.  
DIGITAL PRINT for small run or single piece applications.

