



# The "Vista" model



- Cylindrical promotional banner.
- Original shape.
- 360° logo visibility.
- Ideal for indoor events, launch of new products in show-room.
- Delivered with display as a stand alone banner (optional).
- Disponible à l'unité (impression numérique).





# Technical specifications

## Description

- Cylinder made out of cloth and iron circles which give the diameter of the banner.
- To be hung on the ceiling with rope and clip system.
- A display system made out of two anodized aluminum segments, one foot and hanging system is available.
- Print on Polymat or Heavytex material.
- Heavytex only on digital print.
- Packed in cardboard boxes.



## Sizes

3 Sizes available :

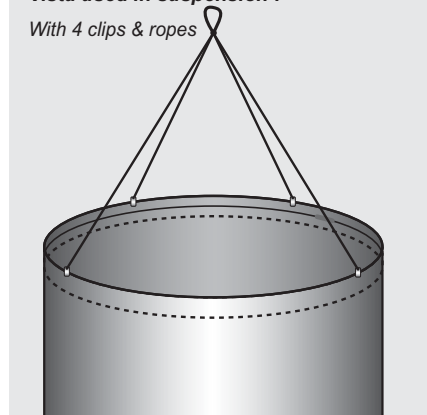
Vista : Height 120cm // ø 40cm

Vista : Height 150cm // ø 50cm

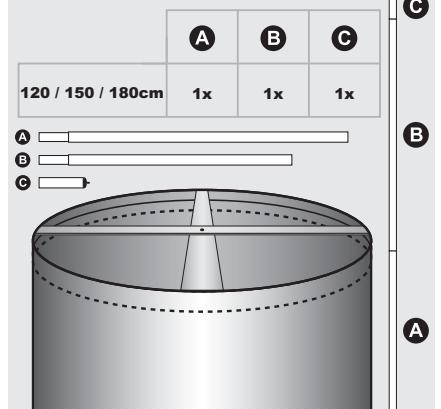
Vista : Height 180cm // ø 60cm

Total height on Display : 200cm

• Vista used in suspension :  
With 4 clips & ropes



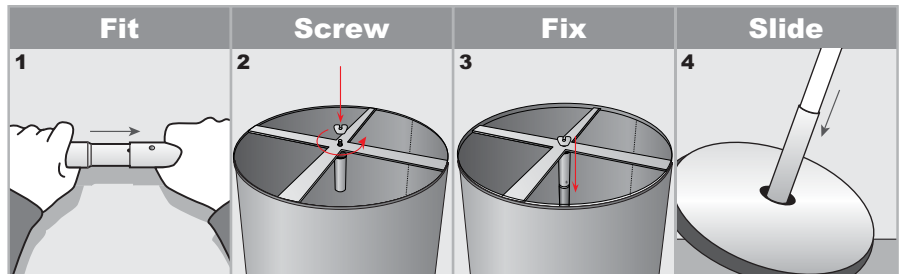
• Vista used on a Display :



## Assembling

Only for the Vista used on a "display".

1. Fit the 2 segments (A) & (B) together.
2. Screw part (C) on the suspension point.
3. Fix everything on the pole.
4. Slide the pole into the flag.



## Bases

Other bases are compatible.

